

Capresso



SG120 Model #494

12-Cup Stainless Steel Coffee Maker

- Operating Instructions
- Product Registration
- Warranty

IMPORTANT SAFEGUARDS

When using electrical appliances, basic safety precautions should always be followed, including the following:

1. Read all instructions before using the coffee maker.
2. Do not touch hot surfaces. Use handles or knobs.
3. To protect against fire, electric shock and personal injury, do not immerse cord, plugs, or appliance in water or other liquid.
4. Close supervision is necessary when any appliance is used by or near children.
5. Unplug from outlet when not in use and before cleaning. Allow it to cool before putting on or taking off parts, and before cleaning the appliance.
6. Do not operate any appliance with a damaged cord or plug or after the appliance malfunctions, or has been damaged in any manner. Return appliance to the nearest authorized service facility for examination, repair or adjustment.
7. The use of accessory attachments not recommended by Capresso may result in fire, electric shock, or personal injury.
8. Do not use outdoors.
9. Do not let the cord hang over the edge of a table or counter, or touch hot surfaces.
10. The carafe is designed for use with this appliance. It must never be used on a range top. Do not place on or near a hot gas or electric burner or in a heated oven.
11. Always attach plug to appliance first, then plug cord into wall outlet. To disconnect, turn it OFF, then remove plug from wall outlet.
12. Do not use appliance for other than intended use.
13. Scalding may occur if the water container lid is opened during the brewing cycle.
14. Do not set hot carafe on a wet or cold surface.
15. Do not use a cracked carafe or a carafe having a loose or weakened handle.
16. Do not clean carafe with harsh cleansers, steel wool pads, or other abrasive materials.
17. **WARNING: Risk of Fire or Electric Shock.** Do not remove the cover of the unit. No user serviceable parts inside. Repair should be done by authorized service personnel only.
18. For household use only.

SAVE THESE INSTRUCTIONS SPECIAL CORD SET INSTRUCTIONS

Regarding your cord set:

- A. A short power-supply cord is to be provided to reduce risks resulting from becoming entangled in or tripping over a longer cord.
- B. Extension cords may be used if care is exercised in their use.
- C. If an extension cord is used,
 - 1) The marked electrical rating of the extension cord should be at least as great as the electrical rating of the appliance,
 - 2) If the appliance is of the grounded type, the extension cord should be a grounding type 3-wire cord, and
 - 3) The longer cord should be arranged so that it will not drape over the counter top or table top where it can be pulled on by children or tripped over.

- D. This appliance has a polarized plug (one blade is wider than the other). As a safety feature, this plug will fit in a polarized outlet only one way. If the plug does not fit fully in the outlet, reverse the plug. If it still does not fit, contact a qualified electrician. Do not attempt to defeat this safety feature.

CAUTION

This appliance is for household use. Any servicing other than cleaning and user maintenance should be performed by an authorized service representative.

- Do not immerse base in water or try to disassemble.
- To reduce the risk of fire or electric shock, do not remove the base.
No user serviceable parts inside. Repair should be done by authorized service personnel only.
- Check voltage to be sure that the voltage indicated on the name plate agrees with your voltage.
- Never use warm or hot water to fill the water container!
Use cold water only!
- Keep your hands and the cord away from hot parts of the appliance during operation.
- Never clean with scouring powders or hard implements.

Welcome and Thank You

Thank you for choosing the Capresso SG120.

Please read all operating instructions before using your SG120.

Understanding and complying with these directions is essential to ensure that the machine is utilized without risk and to ensure safety during operation and maintenance.

How To Contact Capresso Customer Service

Should you require further information or if particular problems occur that are not covered in this manual, please

- CALL our toll free HELP LINE: 1-800-767-3554 Monday-Thursday 8:00AM to 9PM, Friday 8:00AM to 8PM and Saturday 9AM to 5PM Eastern Standard Time. Feel free to call at any time. If you are connected to our voicemail, PLEASE DO NOT HANG UP. Leave your name, telephone number and time to call back. Please leave the name or model number of your Capresso product, in this case it is SG120, Model #494.
- FAX us at 1-201-767-9684 • E-MAIL us at contact@capresso.com
- VISIT our website at www.capresso.com
- WRITE to JURA Inc., Customer Service
P.O. Box 775, Closter, NJ 07624

Capresso SG120, Model #494 Product Registration/Ordering Parts & Accessories

- Please go to our website www.capresso.com to register your product and to order any additional parts and accessories.

Contents

	Page
Important Safeguards	2
Welcome and Thank You	3
How to Contact Capresso Customer Service.....	3
Product Registration /Ordering Parts & Accessories	3
Line Drawings (Figures 1-6)	5, 6
1. Equipment.....	7
2. Preparing the Coffee Maker.....	7
a. Before First Use	7
b. The Display / Setting the Clock and the Timer	7
c. To Set the Current Time	7
d. To Set an Auto-On Time	7
3. The Proper Sequence for Making Coffee	7
4. Making Coffee.....	8
a. Using the GoldTone Filter.....	8
b. Using Filter Paper	8
c. How Much Coffee?	8
d. Turning the Coffee Maker On.....	8
e. Serving Coffee	8
f. Pouring Coffee While Brewing	8
g. Brewing Small Amounts of Coffee.....	8
h. Making Multiple Carafes of Coffee	9
5. Automatic Brewing at a Pre-Programmed Time	9
6. Cleaning the Coffee Maker	9
7. Decalcifying.....	9
a. How to Decalcify with White Vinegar	9
b. Using other Decalcifying Agents	10
8. Troubleshooting	10
9. Limited One Year Warranty	10

Fig. 1



Fig. 2

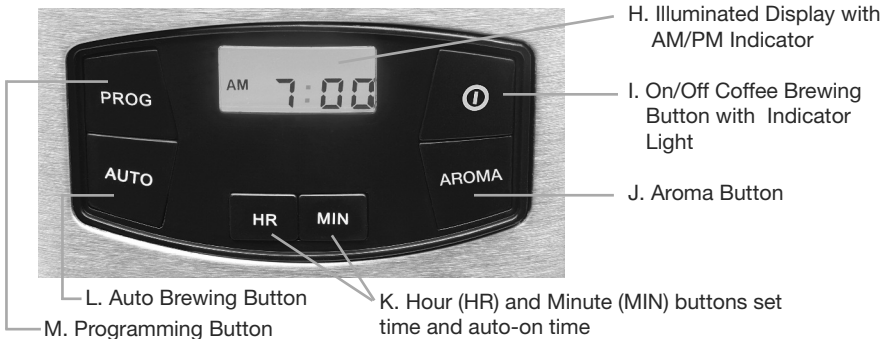


Fig. 3

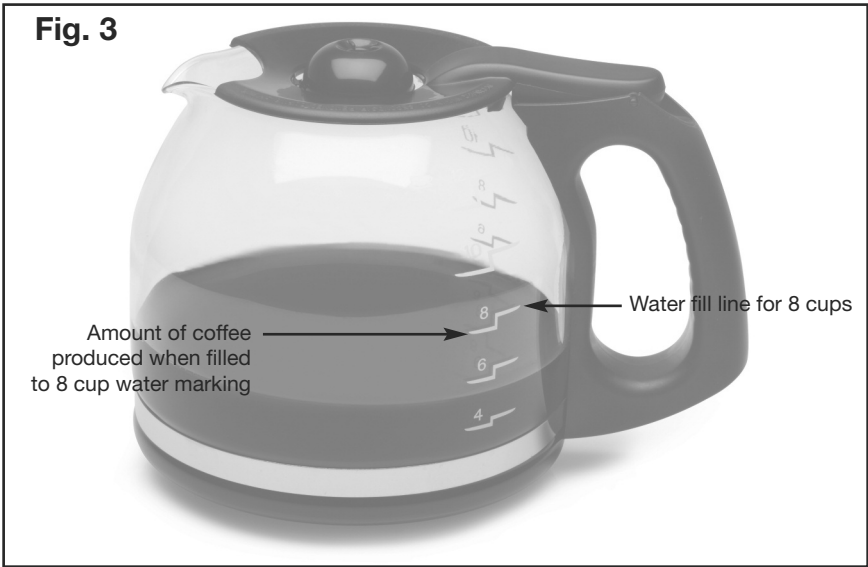


Fig. 4

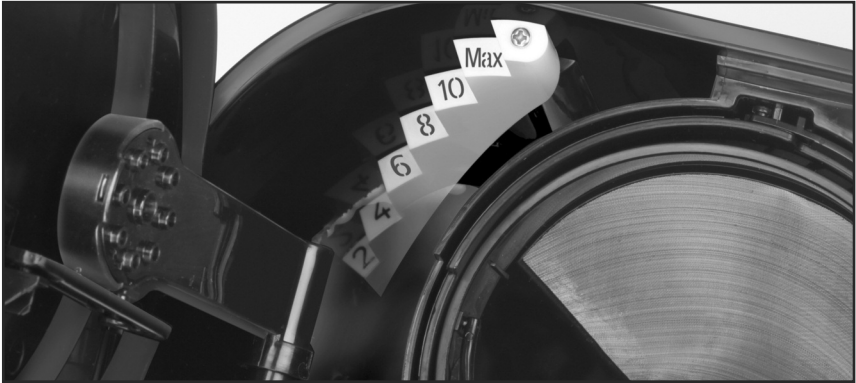


Fig. 5

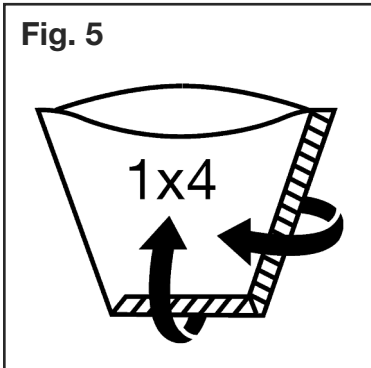
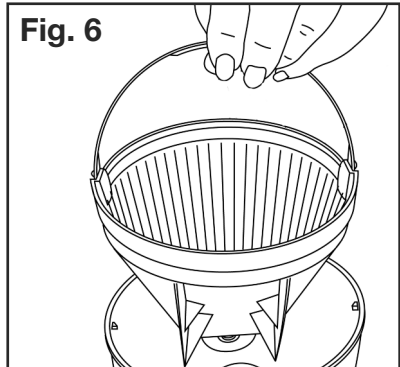


Fig. 6



1. Equipment

The Capresso SG120 comes complete with: Glass Carafe with Lid • GoldTone Filter (inserted in removable Filter Holder) • Instruction Book

2. Preparing the Coffee Maker

2a. Before First Use

After unpacking your coffee maker clean all the loose parts with warm water and make yourself familiar with the different functions. After reading these instructions, clean the internal parts of the machine by making two carafes using only water, without any ground coffee inside the filter.

2b. The Display / Setting the Clock and Timer

When you plug in the coffee maker the unit will beep, the display (Fig. 2, H.) will illuminate and show "12:00 AM". All indicator lights will be off.

2c. To Set the Current Time (Fig. 2)

Push and hold the hour button. The hours will advance. The left side of the display will show AM and PM. When the correct hour shows up release the button and push and hold the minute button to set the minutes.

Attention: You must change the clock when the time changes (Standard Time, Daylight Savings Time).

2d. To Set an Auto-On Time:

If you want the coffee maker to start brewing at a preset time automatically, first push the program button (Fig. 2, M). The display shows "6:00 AM".

Immediately start pushing the hour and minute buttons as described above until the desired time shows up. Within a few seconds the display will revert to the actual time.

To check the programmed time just push the program button. The display shows the programmed time and will switch back to the actual time.

To change the programmed time, push the program button and repeat

as described above.

Attention: Flashing Display!

- If the machine is unplugged or power is interrupted all settings described in chapters 2b. and 2c. must be reset.
- If the machine was set to Auto-On and power was interrupted, the machine will not brew coffee at the programmed time.

3. The Proper Sequence for Making Coffee

Coffee makers produce very hot water. If you follow the sequence as described below you will avoid possible accidents which might cause severe injuries and burns.

1. Remove carafe from machine and fill carafe with desired amount of water.
NOTE: Water will be absorbed during brewing process. The carafe level markings indicate where the water should be filled and how much coffee will be produced. (Fig 3)

2. Open water container lid (Fig. 1, A) and pour water into the water tank.

Caution: Make sure the water level does not exceed the MAX setting (Fig 4) If you fill too much water into the water tank the carafe may overflow with hot coffee.

3. Make sure the filter holder (Fig. 1,D) sits firmly in the filter holder housing. Push the filter holder down (Fig. 6) to make sure the filter holder sits firmly in the filter holder housing. If the filter holder is not snapped into the housing, the drip stop in the filter holder might not open during brewing. Hot water and grinds could overflow and leak from the machine.

Caution: When you push against the drip stop from the bottom, and the filter holder lifts up, re-insert the filter holder. Otherwise the drip stop will not open during brewing. Hot water could overflow from the filter causing injuries.

4. Insert filter paper (chapter 4b) or a GoldTone Filter (chapter 4a).
5. Add the correct amount of ground coffee (chapter 4c).
6. Close the water container lid.
7. Make sure the lid sits properly on the glass carafe. Insert the carafe into the machine. The inner part of the lid pushes the drip stop up, to let coffee brew through.
8. Turn the machine on (Fig. 2, I).
9. Never open the water container lid as long as coffee is brewing. Hot water could spill out causing burns. Wait until the brewing noise stops.
10. Immediately after brewing is finished there could still be hot water in the filter holder passing through the ground coffee. This can take 1 to 3 minutes depending on how much coffee you used and how fine the coffee was ground.

4. Making Coffee

Please follow the steps described in chapter 3.

4a. Using the GoldTone Filter

A size 4 GoldTone filter comes with the machine. It sits in the Filter Holder. Attention: Coffee flows slower through a GoldTone Filter than through paper filters. Please see the chart in chapter 4c for maximum coffee amounts.

4b. Using Filter Paper

Use size 4 paper only. Always fold the bottom and side crimps over for a proper fit (see Fig. 5). Do not use a filter paper inside a GoldTone Filter!

4c. How Much Coffee?

We recommend using one level tablespoon of coffee per cup. If you like your coffee extremely strong never use more coffee than the amounts indicated in the chart shown.

Maximum # of Tablespoons	GoldTone Filter	Size 4 Paper Filter
Regular or Drip Grind (Supermarket Version)	14 Tbsp	16 Tbsp
Fine Grind (finer than Drip Grind)	10-12 Tbsp	11-13 Tbsp

Using more coffee can result in an overflow of ground coffee, above the filter, blocking the drip stop function and causing a mess on your counter.

4d. Turning the Coffee Maker On

Push the On/Off button (Fig. 2, I). The red light will illuminate, indicating that the brewing process is starting. Caution: Never lift the lid during brewing (Fig. 1, A).

4e. Serving Coffee

Brewing time for a full pot of coffee takes just about 11 minutes. When all the water is passed through, the coffee maker will keep the coffee hot for two hours. Then it will shut off. If you need to keep the coffee hot longer, just push the On/Off button again.

4f. Pouring Coffee While Brewing

You can remove the carafe from the platform during the brewing process for approx. 20 seconds to pour a cup before brewing is finished.

4g. Brewing Small Amounts of Coffee

When brewing small amounts of coffee (2 to 4 cups) push the On button (Fig. 2, I) first and then press the Aroma button (Fig. 2, J) until the "AROMA" icon appears on the display. The brewing process will be slowed down to allow the coffee to reach its full aroma. If you pushed the Aroma button by mistake, just push it again to turn off this function.

4h. Making Multiple Carafes of Coffee

If you want to make another carafe of coffee immediately after the first pot, make sure the machine is off and allow to cool down for three minutes before refilling the water tank.

Important: Make sure the carafe is empty before brewing.

5. Automatic Brewing at a Pre-Programmed Time

Set the programmed time at which you wish to brew coffee as described in chapter 2d. Make sure that the programmed time is correct (AM or PM).

Hint: If you want your coffee ready by 7:15 AM, set the programmed time to 7:00, i.e. 15 minutes earlier. This way you get the freshest and hottest coffee possible.

Fill the water tank and filter holder and place the empty carafe with the closed lid on the platform (chapter 4). Push the "AUTO" button (Fig. 2, L). The yellow indicator light will go on. When brewing starts at programmed time, the red ON button will illuminate and the yellow auto light will go off, indicating that brewing has started. During "keep warm" mode indicator light will be green.

Important: If you pushed the auto button by mistake just push it again to turn it off.

6. Cleaning the Coffee Maker

- Make sure coffee maker is turned off (Red light is off). Always unplug the appliance from the outlet and allow to cool down before cleaning.
- Never use scouring agents.
- Never immerse the appliance in water or any other liquid and never clean under running water. To clean the appliance, wipe off with a soft, damp cloth.
- Dishwasher safe (upper rack) are: Filter Holder, GoldTone Filter, Glass Carafe.

- Clean the GoldTone Filter after every use. Otherwise coffee oils will form and clog up the small filter openings. Old, hardened coffee oils can spoil the taste of your coffee.
- Clean the lid of the carafe under running water.
- Drip-stop in filter holder: make sure that the drip-stop is free of any coffee particles, otherwise it might not close properly when removing the carafe.

7. Decalcifying

Decalcify at least every 2-4 months depending on local water hardness or when brewing twelve cups takes more than 15 minutes.

Attention: Before decalcifying, remove the GoldTone filter from the machine.

7a. Decalcifying

Capresso Cleaning Solution

- Remove GoldTone filter
- Dissolve 1 oz (28 g) of descaler with 32 oz (1 L) of water and pour mixture into water tank.
- Place the empty carafe with the lid closed underneath the filter holder.
- Turn the machine on for 2 minutes.
- Turn machine off and let sit for 15 minutes.
- Turn machine on again and let the remaining Cleaning Solution pass through.
- Turn the coffee maker OFF (Fig. 2, I), remove the carafe, empty and rinse a few times with fresh cold water.
- Rinse the filter holder thoroughly with fresh water.
- Let the coffee maker cool down for a few minutes.
- Fill the water tank with fresh cold water and brew through machine to fully rinse.
- Turn off coffee maker and empty carafe.

7b. White Vinegar

- Remove GoldTone filter
- Fill the water container with 20 to 24 oz. of white household vinegar.
- Place the empty carafe with the lid closed underneath the filter holder.
- Turn the machine on for 2 minutes.
- Turn machine off and let sit for 15 minutes.
- Turn machine on again and let the remaining vinegar pass through.
- Turn the coffee maker off (Fig. 2, I), remove the carafe, empty and rinse a few times with fresh cold water.
- Rinse the filter holder thoroughly with fresh water.
- Let the coffee maker cool down for a few minutes.
- Fill the water tank with fresh cold water and brew through machine to remove any vinegar odors.
- Turn off coffee maker and empty carafe.

7c. Using other Decalcifying Agents

Only use decalcifying agents suitable for drip coffee makers and follow the instructions which come with the agent.

Attention: Decalcifying agents are acids and therefore must be handled properly. Please check the information on the packaging of the decalcifying agents before using.

8. Troubleshooting

What to do if...

...Coffee drips from the filter, when the carafe is removed.

- Ground coffee sits in the drip stop and does not allow the drip stop to close properly. Immediately replace the carafe and wait until all the coffee has been filtered in the carafe. Now remove carafe and remove the Filter holder. Clean filter holder under running water. Push the drip stop several times to remove coffee particles. Over the sink fill some water into the filter holder and check if the drip stop closes properly.

...Ground coffee is flowing over the GoldTone Filter.

- Coffee is ground too fine.
- Use less coffee the next time (chapter 4c).
- Use a paper filter (size 4) instead of the GoldTone Filter.

9. LIMITED ONE-YEAR WARRANTY

This warranty covers your CAPRESSO machine, model #494 12-Cup Coffee Maker.

The model # can be found on the bottom of the coffee maker. This warranty is in effect for one year from the date of the first consumer purchase.

This warranty covers all defects in materials or workmanship (parts and labor)

EXCEPT BREAKAGE OF GLASS!

This warranty does not cover:

- Any machine not purchased from an Authorized Dealer.
- Commercial use of machine.
- Damage caused by accident, abuse, negligence, misuse, improper operation or failure to follow instructions contained in this manual.
- Any service or alteration performed by an unauthorized person, company or association.
- Damage caused by neglecting and omitting maintenance, cleaning and decalcifying.
- Carafes (Glass or Thermal).

Other limitations and exclusions:

Any implied warranties including fitness for use and merchantability are limited in duration to the period of the express warranty set forth above and no person is authorized to assume for JURA any other liability in connection with the sale of the machine. JURA expressly disclaims liability for incidental and consequential damages caused

by the machine. The term "incidental damages" refers to the loss of the original purchasers time, loss of the use of the machine or other costs relating to the care and custody of the machine. The term "consequential damages" refers to the cost of repairing or replacing other property which is damaged when this machine does not work properly. The remedies provided under this warranty are exclusive and in lieu of all others.

This warranty gives you specific legal rights, and you may also have other rights which vary from state to state.

Customer Service

1-800-767-3554

Mon-Thu 8AM – 9PM • Fri 8AM – 8PM • Sat 9AM – 5PM
Eastern Standard Time.

email: contact@capresso.com

JURA Inc.

81 Ruckman Road, Closter, NJ 07624

201-767-3999 • Fax: 201-767-9684

Website: www.capresso.com